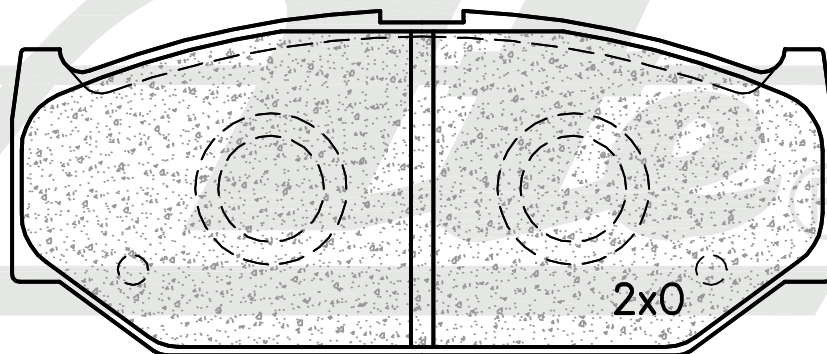
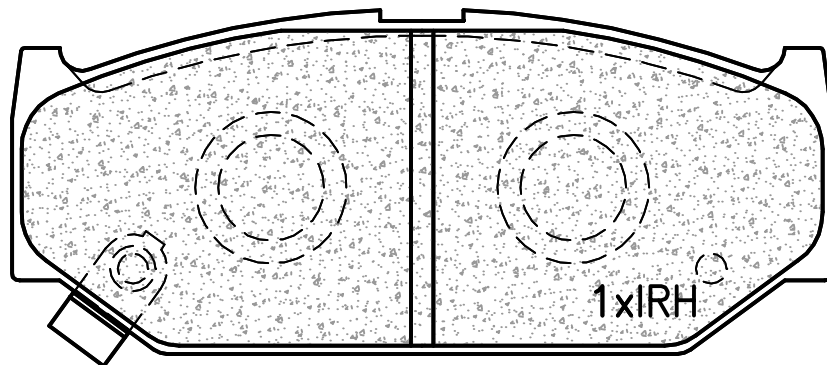
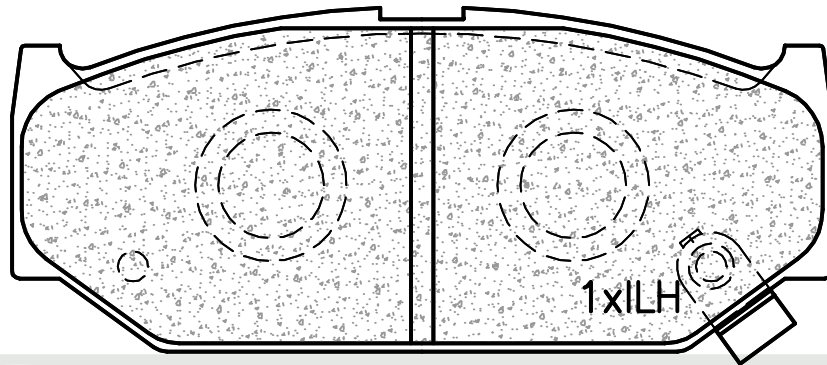


SUZUKI

ATE1144

FRONT



SUPPLIED WITH 2 X WEAR INDICATOR PADS PER SET
NOTE : L + R HANDED

← 108.5 →

45.5

← 15 →