

ATE TECHNICAL BULLETIN
31 August 2016

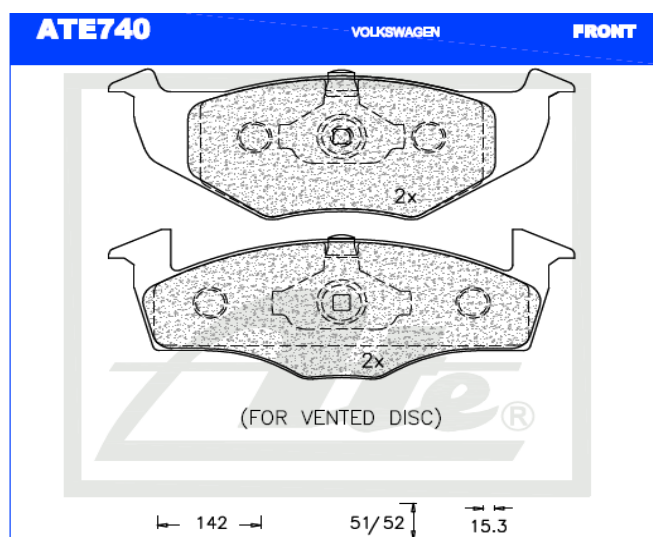
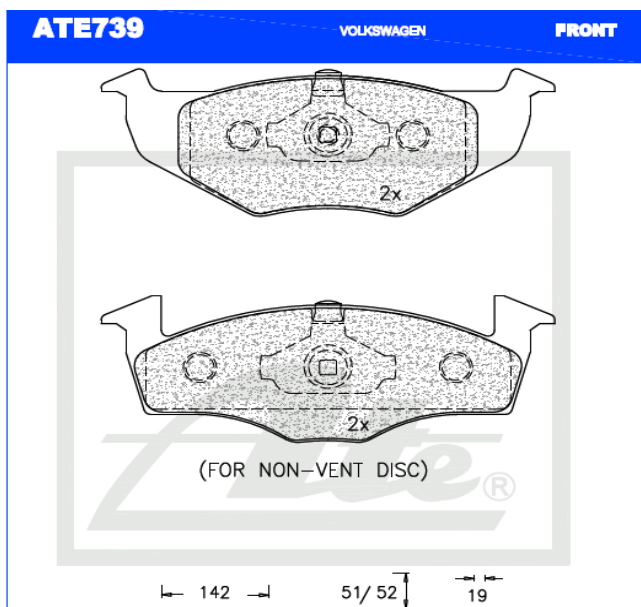


ATE is a registered trademark of Continental Teves AG & Co oHG and/or its affiliates in Frankfurt Germany and other Countries

CURRENT RANGE UPDATE - ATE739 now Supersedes to ATE740

Dear Customer,

Please note ATE739 has now been superseded by ATE740



In our quest to give you our best Customer Service, we have decided to only use the one part number from now on. With immediate effect, ATE739 will be superseded to ATE740. Performance of the ATE740 will be the same as for the ATE739.

Vehicle Application(s)/ Affected Models:

Front Brake Pad -:

VW

POLO 1.4 Classic & Playa - 1996-2002, Cross Polo 1.6 - 2008-2010

CALL NOW TO ORDER YOUR STOCK !!

(011) 898 - 1800 !!

"Single Minded about YOUR Safety"