



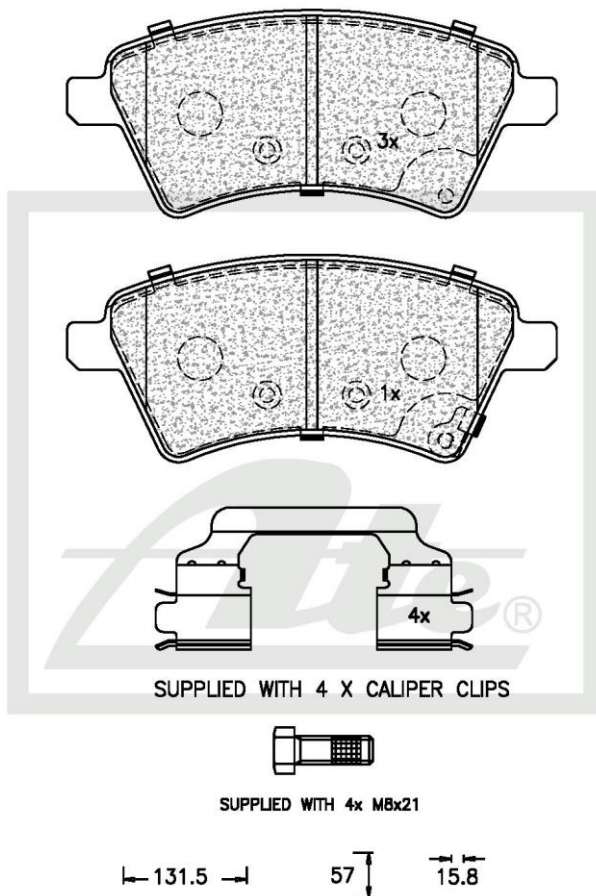
TECHNICAL BULLETIN  
22 MARCH 2018

# ATE1272

(ATE and Teves are registered trademarks of Continental Teves AG & Co oHG and/or its affiliates in Frankfurt Germany and other Countries)

## NEW PART NUMBER UPDATE

### Drawing



### Details of New Part

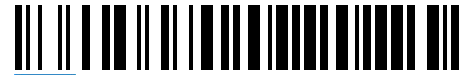
Brake Pad Set - FRONT

Sizes:

L - 131.5mm

H - 57mm

W - 15.8mm



**ATE1272**

### Vehicle Applications

Suzuki SX4; 1.5, 1.6 & 2.0; 2009-

Fr. Position Rr.



**CALL NOW TO ORDER YOUR STOCK !!!**

(011) 898 1800

Picture(s) of vehicle(s) that this part is suitable for:



"Single Minded about YOUR Safety"