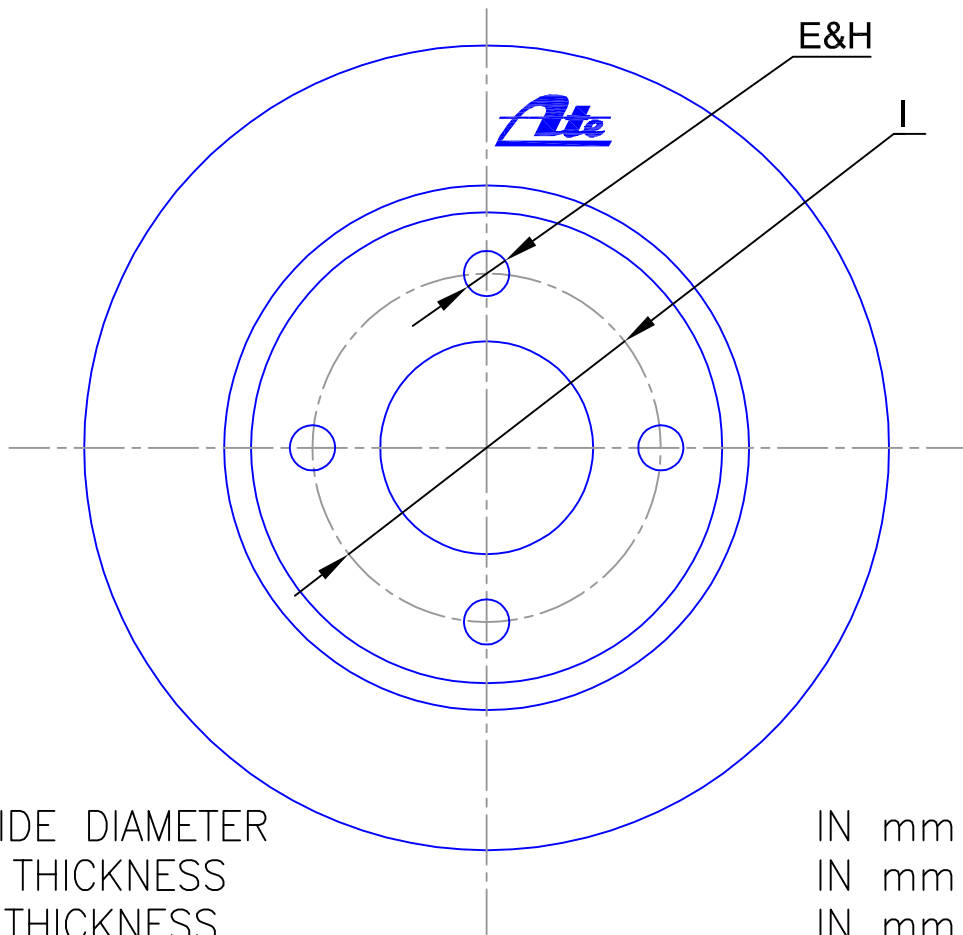
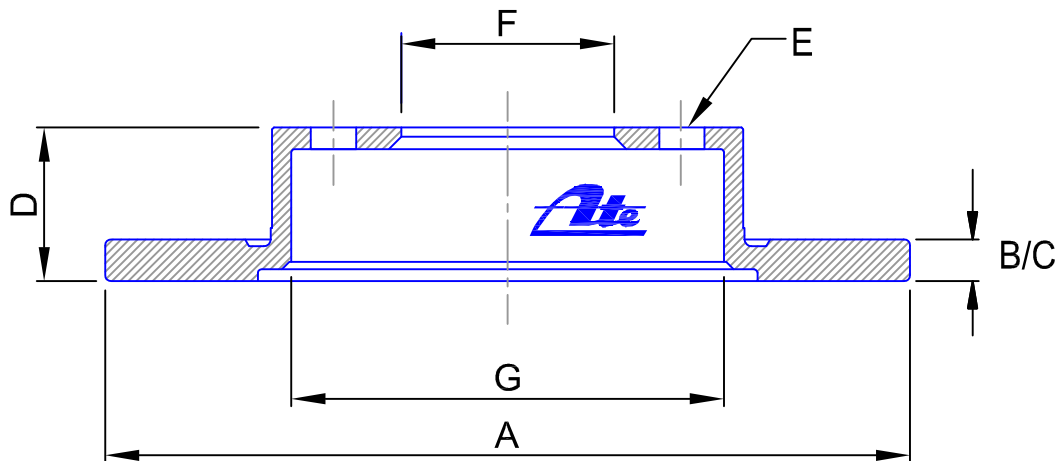


# BRAKE DISC DIMENSION EXPLANATION



A—OUTSIDE DIAMETER	IN mm
B—MAX. THICKNESS	IN mm
C—MIN. THICKNESS	IN mm
D—HEIGHT OF DISC	IN mm
E—NUMBER OF WHEEL BOLT HOLES	
F—SPIGOT (LOCATION) DIAMETER	IN mm
G—INSIDE DIAMETER OF BOSS	IN mm
H—WHEEL STUD/THREAD HOLE DIAMETER	IN mm
I —PITCH CIRCLE DIAMETER (PCD)	IN mm

ONE BRAKE DISC SET MAY BE USED FOR VARIOUS VEHICLE APPLICATIONS